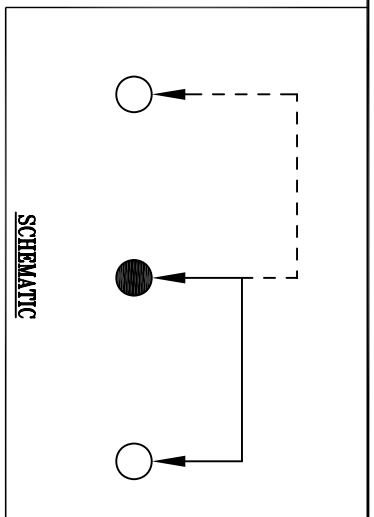
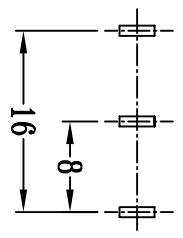
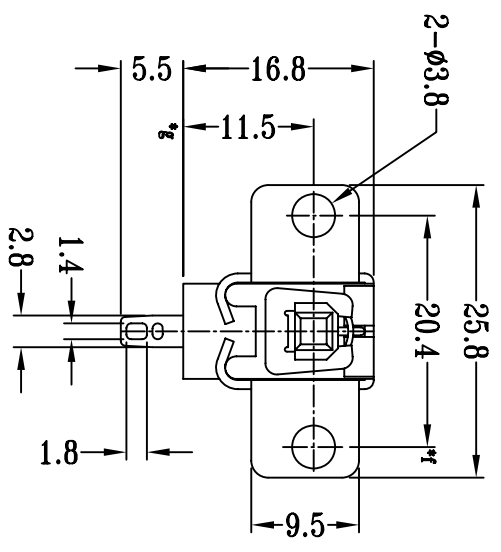
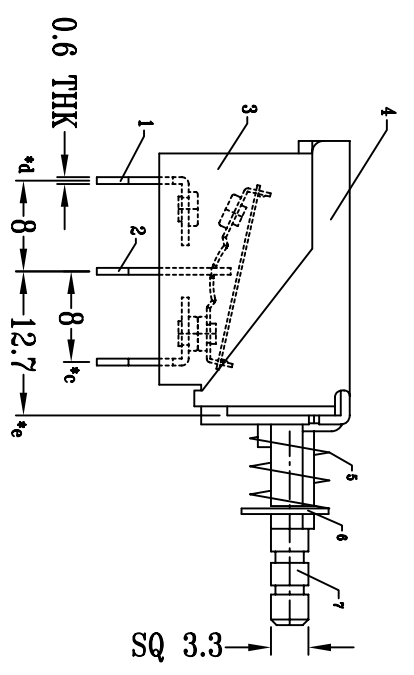
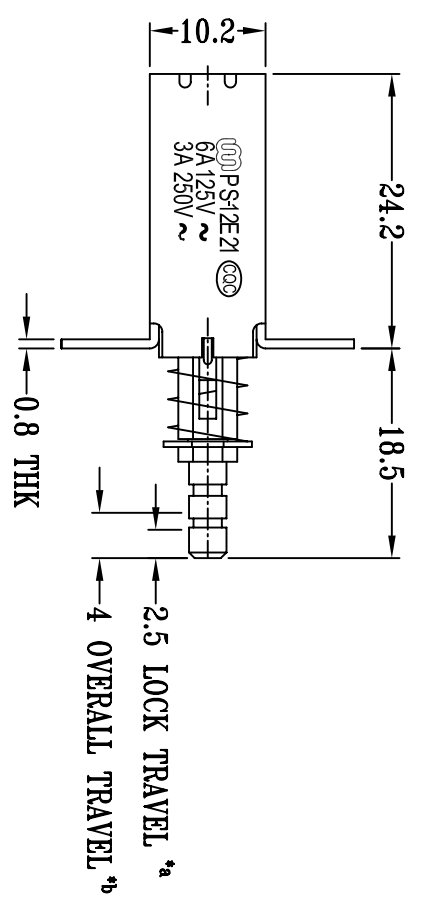


CAD FILE:



11	CONTACT PLATE	BRASS STRIP	1	Ag PLATED
10	CAM STICK	STAINLESS STEEL	1	WASHING
9	CONTACT	COPPER	4	Ag PLATED
8	SPRING PLATE	PBS STRIP	1	NATURAL
7	KNOB	POM	1	BLACK
6	BLOCK	STEEL STRIP	1	Ni PLATED
5	SPRING	STAINLESS STEEL	1	Ni PLATED
4	FRAME	STEEL STRIP	1	Ni PLATED
3	CASE	PC	1	CLEAR
2	TERMINAL	BRASS STRIP	1	Ag PLATED OVER Ni PLATED
1	TERMINAL	BRASS STRIP	2	Ag PLATED OVER Ni PLATED
NO.	PARTS	MATERIALS	Q'TY	FINISH

TOLERANCE UNLESS SPECIFIED SHENZHEN XIEJIA ELECTRONICS CO.,LTD.

WITHIN : 1.5±0.1mm
OVER : 1.5±0.2mm

TITLE : PUSH SWITCH

MODEL: PS-12E21

ALL MATERIALS MUST BE COMPLIANT TO ROHS

注:带*表示关键尺寸(7个)

SCALE: 3 : 2

UNIT : mm

DESCRIPTIONS OF REVISION

APPD.	KANGXINAN	2005-3-24
CHK'D	FANGYING	2005-3-24
DWN.	ZHOUYU	2005-3-24
DRWG NO.:	XJ-DR-PS1E21-00	